



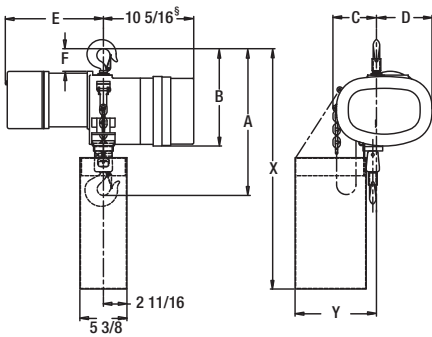
Model KELC Hook & Lug Mounted Electric Hoists



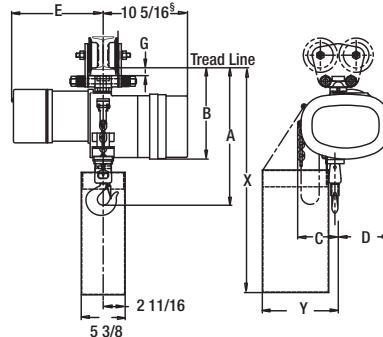
- Single speed standard. Optional 2-speed or variable frequency control available for precision load spotting.
- Heavy-duty AC spring set motor brake with easy 1-step adjustment procedure.
- Gearing totally enclosed in oil-bath lubrication for long life.
- High-torque H4 rated heavy-duty motor with Class 'F' insulation with thermal actuated switches embedded in the motor winding for protection from overheating.
- Weatherproof NEMA-4x enclosed push-button control station specially contoured for operator comfort allowing easy one-handed sure grip control.
- Paddle upper & lower hoist travel limit switch.
- Powder coat finish provides long lasting durable finish and added resistance to corrosive environments.
- Overload protection prevents lifting excessive loads.
- Choice of either hook suspension permitting portability of the hoist or lug suspension which reduces valuable headroom.
- All hoists are built in compliance to ASME/ANSI B30.16 & CSA standards, ISO certified and NEC electrical codes.



Hook Mount



Lug Mount



Specifications & Dimensions

§ This dimension becomes 11-5/16" for 2 speed and 2-1/2 HP models only.

Capacity	Hoist Catalog #	Lift Speed	Motor	Parts of Chain	Net Weight	A		B		C	D	E** Max.	F	G	X***		
						Hook	Lug	Hook	Lug						Hook	Lug	Y
tons		FPM	H.P.		lbs	in	in	in	in	in	in	in	in	in	in	in	in
1/4	KELC2516	16	1/4*	1	77	16-3/4	16-13/16	11-1/8	11-3/16	5	6-5/16	14-1/4	2-9/16	15/16	27-1/2	27-5/8	9-1/2
	KELC2532	32	1/2		80												
	KELC2564	64	1		77												
1/2	KELC5016	16	1/2	1	80	16-3/4	16-13/16	11-1/8	11-3/16	5	6-5/16	14-1/4	2-9/16	15/16	27-1/2	27-5/8	9-1/2
	KELC5032	32	1		81												
	KELC0108	8	1/2		88												
1	KELC0116	16	1	1	89	17-1/2	17-3/8	11-7/16	11-3/8	5-1/8	6-5/16	14-1/4	2-15/16	1-1/8	27-7/8	27-3/4	9-1/2
	KELC0132	32	2-1/2		95												
	KELC0204	4	1/2		110												
2	KELC0208	8	1	2	111	23	22-1/16	13-1/8	12-3/16	6-3/8	5-1/16	14-1/4	4-9/16	1-1/16	33-1/2	32-5/8	10-3/4
	KELC0216	16	2-1/2		112												
	KELC0305	5	1		136												
3	KELC0310	10	2-1/2	3	146	25-7/8	26-5/16	14-3/8	14-7/8	7-7/8	7-1/8	14-1/4	5-7/8	2	38-7/8	39-1/4	12-1/4

* Two speed hoist has a 1/2 H.P. motor

** Maximum length between one & two speed model hoists. Consult factory for exact dimensions.

*** Dimensions based on lifts thru 30 ft (1/4 - 1 Ton capacities), thru 15 ft lift (2 Ton capacity) and thru 10 ft lift (3 Ton capacity)

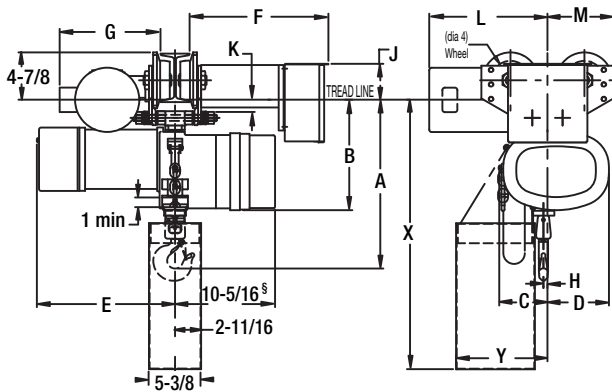
Model KELC Lug Mounted Electric Hoists with Motor Driven Trolleys



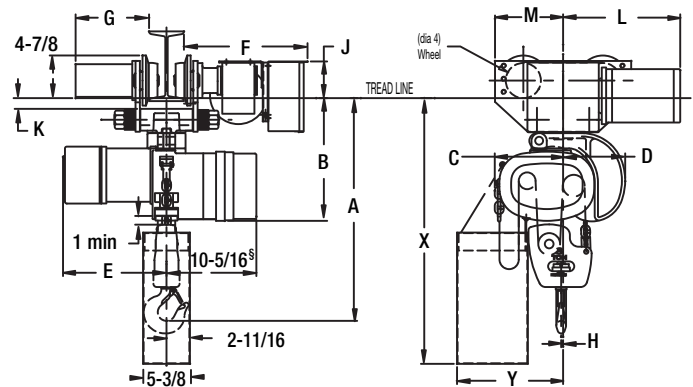
One & Two Speed Hoists

- Single speed standard. Optional 2-speed or variable frequency control available for precision load spotting for both hoist and trolley motions.
- Heavy-duty AC spring set hoist motor brake with easy 1-step adjustment procedure.
- Trolley worm gear design provides smooth stopping performance.
- Hoist gearing totally enclosed in oil-bath lubrication for long life.
- Weatherproof NEMA-4x enclosed push-button control.
- Paddle upper & lower hoist travel limit switch.
- Hoist overload protection prevents lifting excessive loads.
- All hoists and trolleys are built in compliance to ASME/ANSI B30.16 & CSA standards, NEC electrical codes and are ISO 9001 certified.

1/4, 1/2, 1 & 2 Ton Trolley



3 Ton Trolley



Specifications & Dimensions

§ This dimension becomes 11-5/16" for 2 speed and 2-1/2 HP models only.

Capacity	Hoist Catalog Number	Lift Speed	Motor	Parts of Chain	Net Weight	A	B	C	D	E** Max.	F Max.	G Max.	J	K	L Max.	M Max.	X***	Y	H	
tons		FPM	H.P.		lbs.	in	in	in	in	in	in	in	in	in	in	in	in	in	in	
1/4	KELC2516	16	1/4*	1	162															
	KELC2532	32	1/2		165	17-1/16	10-3/16	5	6-5/16	14-1/4	14-3/8	10-3/8	3-3/4	1-3/16	12-1/4	6-13/16	27-7/8	9-1/2	7/16	
	KELC2564	64	1		164															
1/2	KELC5016	16	1/2	1	165	17-1/16	10-3/16	5	6-5/16	14-1/4	14-3/8	10-3/8	3-3/4	1-3/16	12-1/4	6-13/16	27-7/8	9-1/2	7/16	
	KELC5032	32	1		166															
	KELC0108	8	1/2		173															
1	KELC0116	16	1	1	174	17-7/16	10-3/16	5	6-5/16	14-1/4	14-5/16	10-3/8	3-11/16	1-3/16	12-1/4	6-13/16	27-7/8	9-1/2	7/16	
	KELC0132	32	2-1/2		182															
	KELC0204	4	1/2		207															
2	KELC0208	8	1	2	209	22-1/4	11-1/8	6-3/8	7-1/16	14-1/4	14-1/2	10-1/2	4-3/8	1-1/4	12-1/4	7-9/16	28-3/4	10-3/4	3/16	
	KELC0216	16	2-1/2		210															
	KELC0305	5	1		296															
3	KELC0310	10	2-1/2	304	25-9/16	12-7/8	7-7/8	7-1/8	14-1/4	14-1/4	8-1/2	4-3/16	1-1/4	13-1/2	7-13/16	30-1/2	12-1/4	7/32		

* Two speed hoist has a 1/2 H.P. motor

** Maximum length between one & two speed model hoists. Consult factory for exact dimensions.

*** Dimensions based on lifts thru 30 ft (1/4 - 1 Ton capacities), thru 15 ft lift (2 Ton capacity) and thru 10 ft lift (3 Ton capacity)

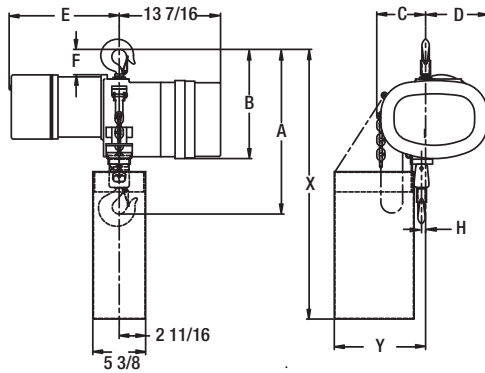


Model KELC - VFD Electric Hoists

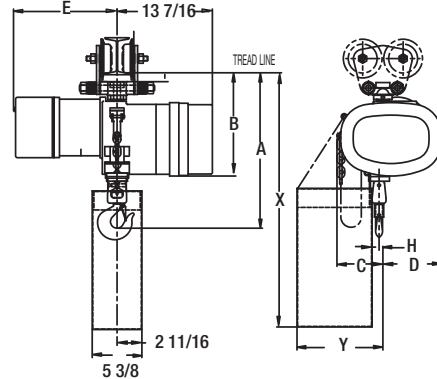


- Variable speed control with single speed motor.
- Minimizes high-starting current on motor which helps keep it cool extending life of motor and also permits increase in motor run-time and starts/stops over standard contactor control.
- Electronic reversing, multispeed operation (up to 3 steps) eliminates conventional magnetic contactors which are wearable components.
- Voltages available are 380-460/3/60, 208-230/3/60 and 208-230/1/60.
- 10:1 speed ratio permits precise positioning for load spotting.
- H4 duty rating.
- 2-step infinitely variable push-button control standard. 3-step also available.
- Thermal overload protection.
- Fault recorder helps troubleshoot various problems, such as power related issues.
- 3 programmable outputs.

Hook Mount



Lug Mount



Specifications & Dimensions

Capacity	Hoist Catalog #	Lift Speed	Motor	Parts of Chain	Net Weight	A		B		C	D	E* Max.	F	G	X**		Y
						Hook	Lug	Hook	Lug						Hook	Lug	
tons		FPM	H.P.		lbs	in	in	in	in	in	in	in	in	in	in	in	in
1/4	KELC2516V	16	1/4	1	77	16-3/4	16-13/16	11-1/8	11-3/16	5	6-5/16	14-1/4	2-9/16	15/16	27-1/2	27-5/8	9-1/2
	KELC2532V	32	1/2		80												
	KELC2564V	64	1		77												
1/2	KELC5016V	16	1/2	1	80	16-3/4	16-13/16	11-1/8	11-3/16	5	6-5/16	14-1/4	2-9/16	15/16	27-1/2	27-5/8	9-1/2
	KELC5032V	32	1		81												
	KELC0108V	8	1/2		88												
1	KELC0116V	16	1	1	89	17-1/2	17-3/8	11-7/16	11-3/8	5-1/8	6-5/16	14-1/4	2-15/16	1-1/8	27-7/8	27-3/4	9-1/2
	KELC0132V	32	2-1/2		95												
	KELC0204V	4	1/2		110												
2	KELC0208V	8	1	2	111	23	22-1/16	13-1/8	12-3/16	6-3/8	5-1/16	14-1/4	4-9/16	1-1/16	33-1/2	32-5/8	10-3/4
	KELC0216V	16	2-1/2		112												
	KELC0305V	5	1		136												
3	KELC0310V	10	2-1/2	3	146	25-7/8	26-5/16	14-3/8	14-7/8	7-7/8	7-1/8	14-1/4	5-7/8	2	38-7/8	39-1/4	12-1/4

** Maximum length for 3 phase model hoists. Consult factory for exact dimensions.

*** Dimensions based on lifts thru 30 ft (1/4 - 1 Ton capacities), thru 15 ft lift (2 Ton capacity) and thru 10 ft lift (3 Ton capacity)

Model KELC Electric Hoist Options & Accessories



WEATHER RESISTANT Weather resistant options such as water resistant covers, zinc-plated load chain, upper & lower hooks and sealing of electrical joints permit the hoist to be used for outdoor applications.



HEAVY-DUTY RIGID MOUNT TROLLEYS FOR HEAVY-DUTY SERVICE TRAVERSE APPLICATIONS

Designed for use specifically with YALE® lug mounted electric chain hoists. The wheels are heat treated forged steel with dual tread design for operation on either "S" or wide flange beams. Sealed precision ball bearings and heavy gauge steel side plates provide a heavy-duty unit. Optional drop lugs available.



ELECTRONIC LIMIT SWITCH

Electronic upper & lower limit switch only requires a press of a button to set your hook travel limits.



LUG SUSPENSION BRACKETS

Used to convert hoists from hook to lug suspensions. Must be used to accommodate rigid mount push, hand-gear and motor-driven trolleys.



FOOD & PHARMACEUTICAL SERVICE OPTIONS

Clean hoist (no paint) or FDA approved epoxy enamel paint, stainless steel load chain, hooks & lower block, and food grade lubrication.



PUSH-BUTTON STATION

All motions can be controlled from a convenient, easy to operate NEMA 4X push-button station. Push-button stations are available for one and two speed, or variable frequency applications.



CABLE REELS

Spring loaded reels keep power conductor cables taut and out of the way. Suitable for use with YALE and other electric hoists and trolleys. Cable reel is stationary type with a 340° pivot base.