

Cyclone hand chain hoist



One of the most popular and reliable hoists ever designed, the Cyclone combines superior engineering, efficiency and durability. Available in a variety of capacities from 1/4 ton to 10 tons, Cyclone features:

- Most interchangeability of parts in the industry
- Standard Load Limiter for simple, automatic overload protection
- Enclosed contoured Weston-type automatic brake for positive load control
- High-efficiency spur gearing for greater lift with minimum effort
- Rugged Hoistaloy chain for added strength and durability
- Fully machined, forged liftwheel pockets for easier lifting and smooth free chaining

*** ⚠ WARNING**

Overloading and improper use can result in injury.

To avoid injury:

- Do not exceed working load limit, load rating capacity
- Do not use to lift people or loads over people.
- use only alloy chain for overhead lifting.
- Read and follow all instructions.

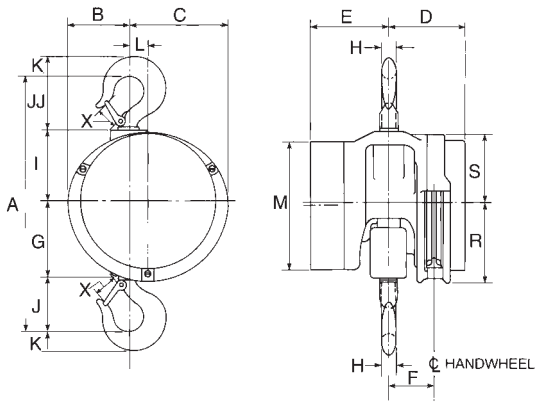
-
- High-strength aluminum alloy castings in frame and covers
 - Inspected over 75 times to meet or exceed HMI and ASME/ANSI performance and safety standards
 - Standard hand chain drop is 2 feet less than lift, (example: 8 foot lift hoist has 6 foot hand chain drop)
 - Lifetime warranty
 - Metric rated
 - Made in U.S.A.
-

Options Include:

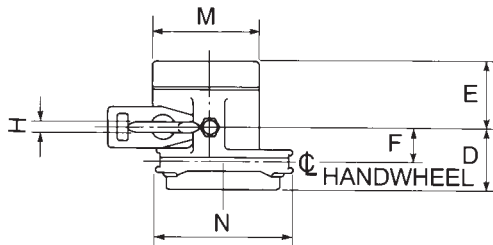
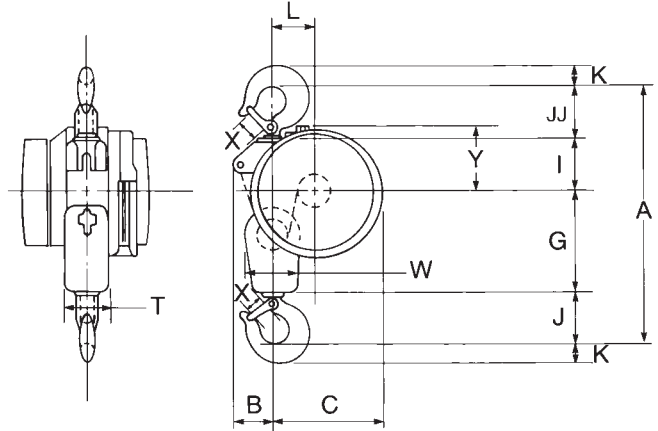
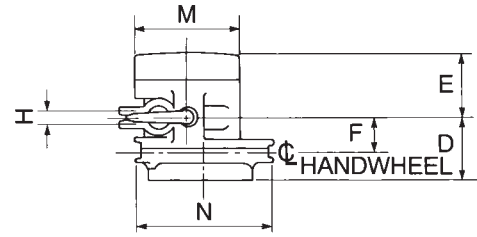
- Fabric chain bags
- Metal chain containers
- Zinc-plated load and hand chain
- Unwelded hand chain
- Latchlok hooks
- Bronze hooks
- Bullard hooks
- Eye-type suspension



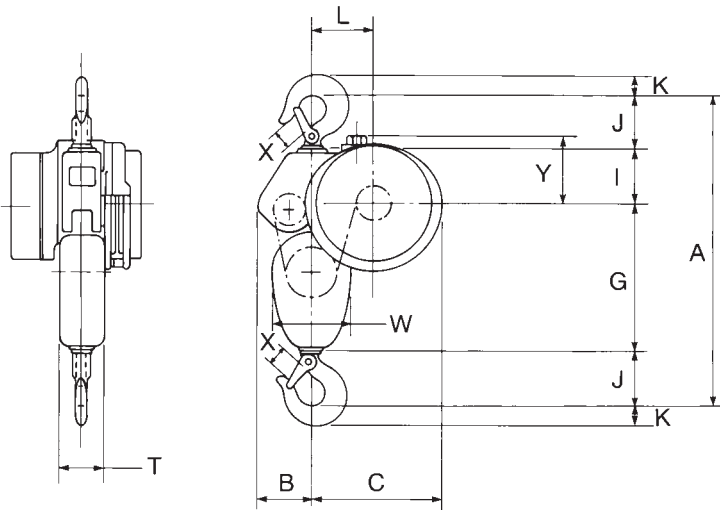
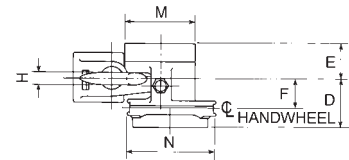
Cyclone hand chain hoist-Specifications



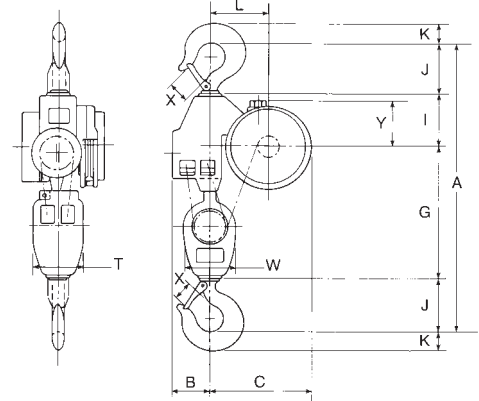
1/4 - 2 ton



3 - 4 ton



5 - 6 ton



8 - 10 ton

Cyclone hand chain hoist-Specifications

Specifications

Rated capacity* (tons)	Product code	Standard lift† (ft.)	Reeving	Minimum distance between hooks (in.)	Chain overhauled to lift load one foot (ft.)	Chain pull to lift full load (lbs.)	Shipping weight (lbs.)
1/4	4621	8	1	12 ⁷ / ₈	22 ¹ / ₂	23	37
1/2	4622	8	1	12 ⁷ / ₈	22 ¹ / ₂	46	37
1	4624	8	1	14	30	69	40
1 1/2	4625	8	1	17 ⁵ / ₁₆	40 ¹ / ₂	80	65
2	4626	8	1	17 ⁵ / ₁₆	52	83	64
3	4627	8	2	21 ¹ / ₂	81	85	96
4	4628	8	2	21 ¹ / ₂	104	88	96
5	4629	8	3	24 ¹ / ₄	156	75	128
6	4630	8	3	25 ¹ / ₄	156	90	132
8	4631	8	4	34 ¹ / ₂	208	89	235
10	4632	8	5	35 ¹ / ₂	260	95	249

† Can be supplied with longer lifts

Clearance dimensions (in.)

Dimension	Rated capacity* (tons)									
	1/4	1/2	1	1 1/2 & 2	3 & 4	5	6	8	10	
A	12 ⁷ / ₈	12 ⁷ / ₈	14	17 ⁵ / ₁₆	21 ¹ / ₂	24 ¹ / ₄	25 ¹ / ₄	34 ¹ / ₂	35 ¹ / ₂	
B	3 ¹¹ / ₁₆	3 ¹¹ / ₁₆	3 ¹¹ / ₁₆	4 ³ / ₁₆	3 ⁵ / ₁₆	4 ³ / ₁₆	4 ³ / ₁₆	4 ³ / ₄	4 ³ / ₄	
C	7 ³ / ₁₆	7 ³ / ₁₆	7 ³ / ₁₆	6 ¹¹ / ₁₆	8 ¹⁵ / ₁₆	10 ⁵ / ₁₆	10 ⁵ / ₁₆	12 ³ / ₄	12 ³ / ₄	
D	4 ¹ / ₈	4 ¹ / ₈	4 ¹ / ₈	5 ¹ / ₁₆	5 ¹ / ₁₆	4 ⁷ / ₈	4 ⁷ / ₈	5 ¹³ / ₁₆	5 ¹³ / ₁₆	
E	3 ¹ / ₄	3 ¹ / ₄	3 ¹ / ₄	4 ¹³ / ₁₆	4 ¹³ / ₁₆	5	5	4 ¹ / ₁₆	4 ¹ / ₁₆	
F	2 ¹ / ₁₆	2 ¹ / ₁₆	2 ¹ / ₁₆	3 ¹ / ₈	3	2 ¹⁵ / ₁₆	2 ¹⁵ / ₁₆	3 ³ / ₄	3 ³ / ₄	
G	3 ⁷ / ₈	3 ⁷ / ₈	3 ³ / ₄	5 ³ / ₁₆	8 ¹ / ₄	11 ¹³ / ₁₆	11 ¹³ / ₁₆	17 ³ / ₁₆	17 ³ / ₁₆	
H	1 ¹ / ₁₆	1 ¹ / ₁₆	1 ³ / ₁₆	1 ¹ / ₈	1 ¹ / ₄	1 ¹ / ₄	1 ³ / ₈	1 ¹¹ / ₁₆	1 ¹³ / ₁₆	
I	3 ³ / ₄	3 ³ / ₄	3 ³ / ₄	4 ¹³ / ₁₆	4 ¹ / ₄	4 ³ / ₁₆	4 ³ / ₁₆	6 ¹ / ₁₆	6 ¹ / ₁₆	
J	2 ⁵ / ₈	2 ⁵ / ₈	2 ¹⁵ / ₁₆	3 ⁵ / ₈	4 ¹ / ₈	4 ¹ / ₈	4 ⁵ / ₈	5 ⁵ / ₈	6 ¹ / ₈	
JJ	2 ⁵ / ₈	2 ⁵ / ₈	3 ⁹ / ₁₆	3 ¹¹ / ₁₆	4 ⁷ / ₈	—	—	—	—	
K	1 ⁵ / ₁₆	1 ⁵ / ₁₆	1 ¹ / ₈	1 ¹ / ₂	1 ¹¹ / ₁₆	1 ¹¹ / ₁₆	1 ⁷ / ₈	2 ¹ / ₄	2 ⁹ / ₁₆	
L	1 ³ / ₄	1 ³ / ₄	1 ³ / ₄	1 ¹ / ₄	3 ¹ / ₂	4 ⁷ / ₈	4 ⁷ / ₈	7 ⁵ / ₁₆	7 ⁵ / ₁₆	
M	7 ¹ / ₁₆	7 ¹ / ₁₆	7 ¹ / ₁₆	8 ⁵ / ₈	8 ⁵ / ₈	8 ⁵ / ₈	8 ⁵ / ₈	8 ⁵ / ₈	8 ⁵ / ₈	
N	—	—	—	—	10 ⁷ / ₈	10 ⁷ / ₈	10 ⁷ / ₈	10 ⁷ / ₈	10 ⁷ / ₈	
R	5 ⁷ / ₁₆	5 ⁷ / ₁₆	5 ⁷ / ₁₆	5 ⁷ / ₁₆	—	—	—	—	—	
S	4 ¹¹ / ₁₆	4 ¹¹ / ₁₆	4 ¹¹ / ₁₆	4 ¹¹ / ₁₆	—	—	—	—	—	
T	—	—	—	—	3 ⁷ / ₈	4	4	6 ³ / ₈	6 ³ / ₈	
W	—	—	—	—	4 ¹ / ₂	6 ¹ / ₄	6 ¹ / ₄	6 ⁷ / ₁₆	6 ⁷ / ₁₆	
X	1 ¹ / ₃₂	1 ¹ / ₃₂	1 ¹ / ₈	1 ⁵ / ₁₆	1 ⁵ / ₈	1 ⁵ / ₈	1 ³ / ₄	2 ¹ / ₁₆	2 ⁵ / ₁₆	
Y	—	—	—	—	5 ¹ / ₈	5 ⁷ / ₈	5 ⁷ / ₈	5 ⁹ / ₁₆	5 ⁹ / ₁₆	

*** ⚠ WARNING**

Overloading and improper use can result in injury.

To avoid injury:

- Do not exceed working load limit, load rating capacity
- Do not use to lift people or loads over people.
- use only alloy chain for overhead lifting.
- Read and follow all instructions.

Series 653 Lever operated hoist

Ideal for construction and industrial applications

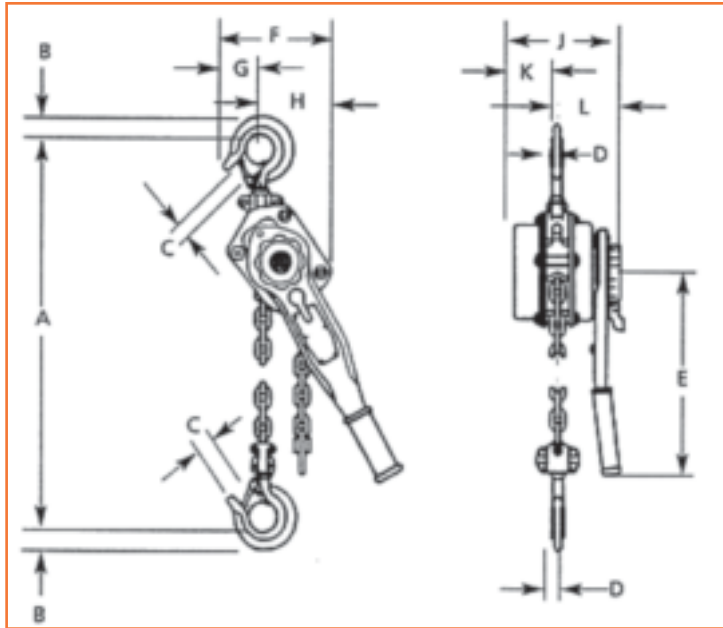
The Series 653 lever operated hoist is a high quality, rugged, steel tool for close quarter pulling, stretching, and hoisting applications. Its characteristic short handle, along with minimal lever pull effort, make this tool ideal for a broad range of applications.

- Capacities from 3/4 to 6 tons
- Impact resistant, stamped steel frame, gear case and cover for durability and light weight.
- Powder coated finish for added corrosion protection.
- Hardened steel load sharing gears.
- Double pawl arrangement for assured load control.
- Two chain guide rollers for positive chain engagement.
- Weston type braking system for positive load control and positioning.
- Simple one-handed, free chaining for fast load attachment.
- Hardened steel chain for strength and long wear life.
- Forged upper and lower hooks with heavy cast steel latches.
- Rubber handle grip for added operator comfort.
- Minimal maintenance with no special tools required.
- 5-year warranty against defects in materials and workmanship.
- Metric rated.
- Meets ASME B30.21 – Manually Lever Operated Hoist Standard and European CE Standard.
- Designed and manufactured by Columbus McKinnon Corporation.



Shipyards hooks are available for use with the Series 653 in shipbuilding and metal fabrication industries. The upper shipyard hook replaces the standard hook and easily attaches to the body of the hoist. The lower hook is furnished with a chain block for direct attachment to the load of the hoist. Shipyards hooks are excellent for positioning steel plate and fixtures during welding applications.

Series 533 lever operated hoist-Specifications



Specifications

Product code	Load rating (tonnes)	Lift or reach (ft.)	Lever pull to lift rated load (lbs.)	Approx. ship wt. (lbs.)	A	B	C	D	E	F	G	H	J	K	L
5310	3/4	5	33	15.0	12 ⁵ / ₈	15/16	1 ¹ / ₈	11/16	11	4 ³ / ₈	2 ³ / ₁₆	2 ³ / ₁₆	5 ¹⁵ / ₁₆	2 ³ / ₈	3 ⁹ / ₁₆
5311	3/4	10	33	15.8	12 ⁵ / ₈	15/16	1 ¹ / ₈	11/16	11	4 ³ / ₈	2 ³ / ₁₆	2 ³ / ₁₆	5 ¹⁵ / ₁₆	2 ³ / ₈	3 ⁹ / ₁₆
5312	3/4	15	33	16.6	12 ⁵ / ₈	15/16	1 ¹ / ₈	11/16	11	4 ³ / ₈	2 ³ / ₁₆	2 ³ / ₁₆	5 ¹⁵ / ₁₆	2 ³ / ₈	3 ⁹ / ₁₆
5313	3/4	20	33	17.3	12 ⁵ / ₈	15/16	1 ¹ / ₈	11/16	11	4 ³ / ₈	2 ³ / ₁₆	2 ³ / ₁₆	5 ¹⁵ / ₁₆	2 ³ / ₈	3 ⁹ / ₁₆
5328	1	5	44	15.0	12 ⁵ / ₈	15/16	1 ¹ / ₈	11/16	11	4 ³ / ₈	2 ³ / ₁₆	2 ³ / ₁₆	5 ¹⁵ / ₁₆	2 ³ / ₈	3 ⁹ / ₁₆
5315	1 ¹ / ₂	5	51	27.0	14 ³ / ₁₆	1 ¹ / ₈	1 ¹ / ₄	13/16	16 ¹ / ₄	4 ³ / ₈	2 ³ / ₈	2 ³ / ₈	6 ⁷ / ₈	3	3 ¹⁵ / ₁₆
5316	1 ¹ / ₂	10	51	31.4	14 ³ / ₁₆	1 ¹ / ₈	1 ¹ / ₄	13/16	16 ¹ / ₄	4 ³ / ₈	2 ³ / ₈	2 ³ / ₈	6 ⁷ / ₈	3	3 ¹⁵ / ₁₆
5317	1 ¹ / ₂	15	51	35.8	14 ³ / ₁₆	1 ¹ / ₈	1 ¹ / ₄	13/16	16 ¹ / ₄	4 ³ / ₈	2 ³ / ₈	2 ³ / ₈	6 ⁷ / ₈	3	3 ¹⁵ / ₁₆
5318	1 ¹ / ₂	20	51	40.2	14 ³ / ₁₆	1 ¹ / ₈	1 ¹ / ₄	13/16	16 ¹ / ₄	4 ³ / ₈	2 ³ / ₈	2 ³ / ₈	6 ⁷ / ₈	3	3 ¹⁵ / ₁₆
5329	2	5	68	27.0	14 ¹³ / ₁₆	1 ¹ / ₈	1 ¹ / ₄	13/16	16 ¹ / ₄	4 ³ / ₈	2 ³ / ₈	2 ³ / ₈	6 ⁷ / ₈	3	3 ¹⁵ / ₁₆
5320	3	5	77	45.0	18 ¹¹ / ₁₆	1 ¹³ / ₁₆	1 ⁹ / ₁₆	1 ¹ / ₄	16 ¹ / ₄	7 ¹ / ₂	3 ³ / ₈	4 ³ / ₁₆	7 ⁷ / ₈	3 ³ / ₈	4 ⁹ / ₁₆
5321	3	10	77	52.3	18 ¹¹ / ₁₆	1 ¹³ / ₁₆	1 ⁹ / ₁₆	1 ¹ / ₄	16 ¹ / ₄	7 ¹ / ₂	3 ³ / ₈	4 ³ / ₁₆	7 ⁷ / ₈	3 ³ / ₈	4 ⁹ / ₁₆

*** ⚠ WARNING**

Overloading and improper use can result in injury.

To avoid injury:

- Do not exceed working load limit, load rating capacity
- Do not use to lift people or loads over people.
- use only alloy chain for overhead lifting.
- Read and follow all instructions.



Upper Shipyard hook

Capacity (tons)	Product code	Net Wt. (lbs.)
1 ¹ / ₂	3315WLP	2.9
3	3303WLP	4.9



Lower Shipyard hook

1 ¹ / ₂	3415WLP	2.1
3	3403WLP	4.8